

SDU-S switching power supply

Provide 7 different power specifications, 6 output voltages, output voltage $\pm 10\%$ adjustable, wider selection range

- ① Rated power: 35W, 50W, 75W, 100W, 150W, 200W, 350W
- ② Input voltage: 85V ~ 264VAC or 127V ~ 370VDC
- ③ Output DC voltage: 5V, 12V, 15V, 24V, 36V, 48V
- ④ AC Input frequency: 47 ~ 63Hz
- ⑤ No-load loss is as low as 0.2W ~ 0.75W
- ⑥ High frequency PWM control technology
- ⑦ Limit working temperature: $-30^{\circ}\text{C} \sim +70^{\circ}\text{C}$
- ⑧ Certification: CCC, CE, EMC, RoHs
- ⑨ 100% full load aging test

Create a power brand which is

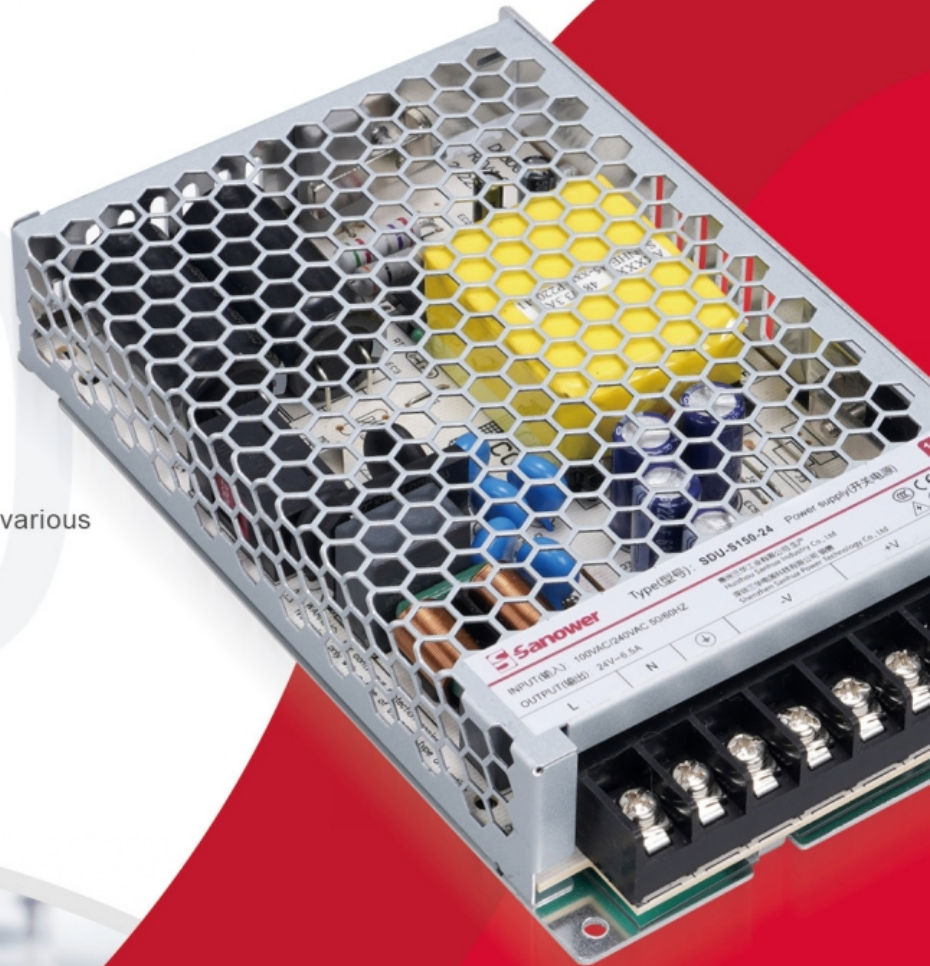
The most trusted by customers

Electricity conversion efficiency

Gundam 90%

High efficiency | High Life | High reliability

It provides more cost-effective solutions for various industrial applications



Construction of references Principle

Series	Number of output routes	Rated Power	Output Voltage
SDU	S	□	□
		35W	5V
		50W	12V
		75W	15V
	S: Single loop output	100W	24V
		150W	36V
		200W	48V
		350W	

General Specification

Rated power		35W	50W	75W	100W	150W	200W	350W
Input	Input voltage	AC 85V~264V DC 120V~373V (150W and above by switch)						
	Input frequency	47~63Hz						
	Leakage current (240V)	<0.75mA	<0.75mA	<0.75mA	<1mA	<1mA	<1mA	<2mA
Output	Voltage adjustment range	±10%						
	Output stability	1%						
	Ripple and noise	≤1% peak value (100mVp-p standard)						
	Load adjustment rate	1% typical value						
Protection	Overload protection	110%~150%, Hiccup mode, auto-recovery						
	Overvoltage protection	110%~140%, Hiccup mode, auto-recovery						
	Short circuit protection	Output terminal short circuit, Hiccup mode, auto-recovery						
	Cooling method	Natural air cooling						Fan
Environment	Working temperature/Humidity	-30°C +70°C /20~90%RH, Without condensation						
	Storage temperature/Humidity	-40°C ~+85°C /10~95%RH, Without condensation						
	Temperature coefficient	±0.03%/°C (0-50°C)						
Safety & EMC	Safety standard	UL62368-1,TUV BS EN/EN62368-1,BS CNS14336-1,EAC TP TC 004 EN/EN61558-1/-2-16,CCC GB4943.1,BSMI						
	Withstand voltage	Input to output: 4KVAC Input to ground: 2KVAC Output to ground: 1.25KVAC						
	Insulation impedance	I/P-O/P,I/P-FG,O/P-FG: 100M Ohm / 500VDC						
	EMC emission	EN55032, EN55014, EN61000-3-2, GB/T9254,BSMI CNS13438,FCC ClassB						

35W

Model No.	Output	Current	R&N	Voltage adjustment	Tol.	Effi.	Order No.
SDU-S35-5	5V	0~7A	80mvp-p	4.5~5.5V	±2%	≥82%	SDUS3505
SDU-S35-12	12V	0~3A	120mvp-p	10.2~13.8V	±1%	≥86%	SDUS3512
SDU-S35-15	15V	0~2.4A	150mvp-p	13.5~18V	±1%	≥86%	SDUS3515
SDU-S35-24	24V	0~1.5A	150mvp-p	21.6~28.8V	±1%	≥88%	SDUS3524
SDU-S35-36	36V	0~1A	200mvp-p	32.4~39.6V	±1%	≥88%	SDUS3536
SDU-S35-48	48V	0~0.8A	200mvp-p	43.2~52.8V	±1%	≥89%	SDUS3548

50W

Model No.	Output	Current	R&N	Voltage adjustment	Tol.	Effi.	Order No.
SDU-S50-5	5V	0~10A	80mvp-p	4.5~5.5V	±2%	≥81%	SDUS5005
SDU-S50-12	12V	0~4.2A	120mvp-p	10.2~13.8V	±1%	≥85%	SDUS5012
SDU-S50-15	15V	0~3.3A	150mvp-p	13.5~18V	±1%	≥85%	SDUS5015
SDU-S50-24	24V	0~2.2A	150mvp-p	21.6~28.8V	±1%	≥86%	SDUS5024
SDU-S50-36	36V	0~1.45A	200mvp-p	32.4~39.6V	±1%	≥86%	SDUS5036
SDU-S50-48	48V	0~1.1A	200mvp-p	43.2~52.8V	±1%	≥87%	SDUS5048

75W

Model No.	Output	Current	R&N	Voltage adjustment	Tol.	Effi.	Order No.
SDU-S75-5	5V	0~14A	80mvp-p	4.5~5.5V	±2%	≥80%	SDUS7505
SDU-S75-12	12V	0~6A	120mvp-p	10.2~13.8V	±1%	≥85%	SDUS7512
SDU-S75-15	15V	0~5A	150mvp-p	13.5~18V	±1%	≥85%	SDUS7515
SDU-S75-24	24V	0~3.2A	150mvp-p	21.6~28.8V	±1%	≥86%	SDUS7524
SDU-S75-36	36V	0~2.1A	200mvp-p	32.4~39.6V	±1%	≥86%	SDUS7536
SDU-S75-48	48V	0~1.6A	200mvp-p	43.2~52.8V	±1%	≥88%	SDUS7548

100W

Model No.	Output	Current	R&N	Voltage adjustment	Tol.	Effi.	Order No.
SDU-S100-5	5V	0~18A	100mvp-p	4.5~5.5V	±2%	≥80%	SDUS10005
SDU-S100-12	12V	0~8.5A	120mvp-p	10.2~13.8V	±1%	≥85%	SDUS10012
SDU-S100-15	15V	0~7A	150mvp-p	13.5~18V	±1%	≥85%	SDUS10015
SDU-S100-24	24V	0~4.5A	150mvp-p	21.6~28.8V	±1%	≥86%	SDUS10024
SDU-S100-36	36V	0~2.8A	200mvp-p	32.4~39.6V	±1%	≥87%	SDUS10036
SDU-S100-48	48V	0~2.3A	200mvp-p	43.2~52.8V	±1%	≥88%	SDUS10048

150W

Model No.	Output	Current	R&N	Voltage adjustment	Tol.	Effi.	Order No.
SDU-S150-5	5V	0~22A	100mvp-p	4.5~5.5V	±2%	≥80%	SDUS15005
SDU-S150-12	12V	0~12.5A	150mvp-p	10.2~13.8V	±1%	≥85%	SDUS15012
SDU-S150-15	15V	0~10A	200mvp-p	13.5~18V	±1%	≥86%	SDUS15015
SDU-S150-24	24V	0~6.5A	200mvp-p	21.6~28.8V	±1%	≥87%	SDUS15024
SDU-S150-36	36V	0~4.3A	200mvp-p	32.4~39.6V	±1%	≥87%	SDUS15036
SDU-S150-48	48V	0~3.3A	200mvp-p	43.2~52.8V	±1%	≥89%	SDUS15048

200W

Model No.	Output	Current	R&N	Voltage adjustment	Tol.	Effi.	Order No.
SDU-S200-5	5V	0~40A	150mvp-p	4.5~5.5V	±2%	≥87%	SDUS20005
SDU-S200-12	12V	0~17A	150mvp-p	10.2~13.8V	±1%	≥87%	SDUS20012
SDU-S200-15	15V	0~14A	150mvp-p	13.5~18V	±1%	≥88%	SDUS20015
SDU-S200-24	24V	0~8.8A	150mvp-p	21.6~28.8V	±1%	≥89%	SDUS20024
SDU-S200-36	36V	0~5.9A	200mvp-p	32.4~39.6V	±1%	≥89%	SDUS20036
SDU-S200-48	48V	0~4.4A	200mvp-p	43.2~52.8V	±1%	≥90%	SDUS20048

350W

Model No.	Output	Current	R&N	Voltage adjustment	Tol.	Effi.	Order No.
SDU-S350-5	5V	0~60A	150mvp-p	4.5~5.5V	±2%	≥83%	SDUS35005
SDU-S350-12	12V	0~29A	150mvp-p	10.2~13.8V	±1%	≥85%	SDUS35012
SDU-S350-15	15V	0~23.2A	150mvp-p	13.5~18V	±1%	≥86%	SDUS35015
SDU-S350-24	24V	0~14.6A	150mvp-p	21.6~28.8V	±1%	≥88%	SDUS35024
SDU-S350-36	36V	0~9.7A	200mvp-p	32.4~39.6V	±1%	≥88%	SDUS35036
SDU-S350-48	48V	0~7.3A	200mvp-p	43.2~52.8V	±1%	≥89%	SDUS35048

Scope of application



Industrial automation



Electronic information



Security monitoring

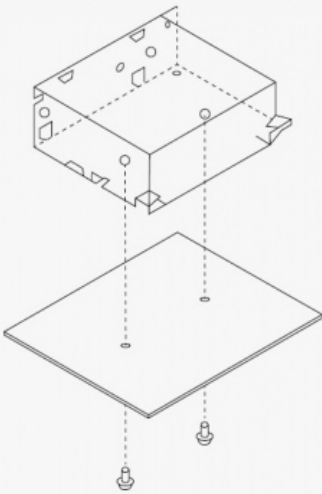


Urban lighting

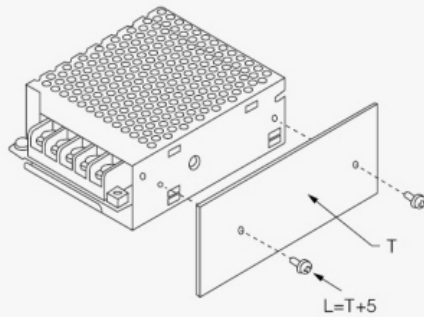


unit: mm

SDU-S 350W	SDU-S 200W	SDU-S 150W	SDU-S 100W	SDU-S 75W	SDU-S 50W	SDU-S 35W
0.76Kg	0.66Kg	0.48Kg	0.34Kg	0.25Kg	0.23Kg	0.23Kg



Vertical mounting



Horizontal installation

Wiring diagram



- Firewire input
- Zero line input
- Ground wire
- Output negative terminal
- Output positive terminal



Sanhua power supply

Provide more stable solutions and services
Continue to create greater value for customers

01

More adaptable

Operating altitude up to 5000 meters
Wide working temperature: $-30^{\circ}\text{C} \sim +70^{\circ}\text{C}$
4000VAC high isolation voltage withstand, can provide better security for equipment
After rigorous reliability test, it can withstand 5g vibration

02

High quality raw materials, excellent performance

Pure copper high frequency transformer, higher power efficiency
 105°C high temperature resistance electrolytic capacitor, high voltage resistance, more stable performance
High quality inductance, low power loss

03

Perfect industrial design

30mm ultra-thin enclosure design
Metal mesh shell with excellent heat dissipation capability

04

Multiple protections

More secure for four types of protection: overvoltage, overload, short circuit, and temperature





20+Annual technology accumulation

R&D, manufacturing and sales all-in-one

One of the global power suppliers and advanced power solutions provider

Our products cover four categories: intelligent home appliance power supply, office equipment power supply, new energy and industrial power supply



3 billion in revenue | 4 R&D Centers | 100,000 m² plant | 160+ Professional R&D team | 1000 million Annual capacity

PART OF COOPERATIVE CUSTOMERS

mi xiaomi

Lenovo

SONY

PANTUM
奔图打印

Midea 美的

BOE

Panasonic
松下电器

得实集团
DASCOM

RICOH
理光集团

SHARP

deli 得力

Haier

TCL

INNOLUX
群創光電

HITACHI
Inspire the Next

Hisense



INNOVATIVE TECHNOLOGY AND INGENUITY

CREATE THE MOST
TRUSTED POWER BRAND BY
CUSTOMERS



Our values: Customer first / Focus on / Extreme / Efficiency;
SHENZHEN SANHUA POWER TECHNOLOGY CO., LTD.

© Floor 3, Building 10, Jingxuan Industrial Park, Huangbeiling, Yousong
Community, Longhua Street, Longhua District, Shenzhen

☎ 400-990-9266 🌐 www.sanower-tech.com

☎ 0755-28011675 ☎ 0755-28011795

